

STREET	RESERVE WIDTH	GAS		WATER		ELECTRICITY		NBN		BK of KERB
		SIDE	OFFSET	REUSE WATER SIDE	POTABLE WATER SIDE	U/G CABLE SIDE	U/G CABLE OFFSET	SIDE	OFFSET	
SPEARYS ROAD (LOT 204)	16.00m	W	1.70	W	2.20	W	3.70	W	3.20	5.00
MOUNTVIEW DRIVE (LOT 201 TO 204)	16.00m	N	1.70	N	2.20	S	2.30	S	1.80	4.20
MOUNTVIEW DRIVE (ADJACENT VINYARD ROAD)	13.00m	E	1.70	E	2.20	E	2.70	E	3.20	5.05 E / 2.0 W
TEATREE STREET	16.00m	W	1.70	W	2.20	E	2.30	E	1.80	4.20

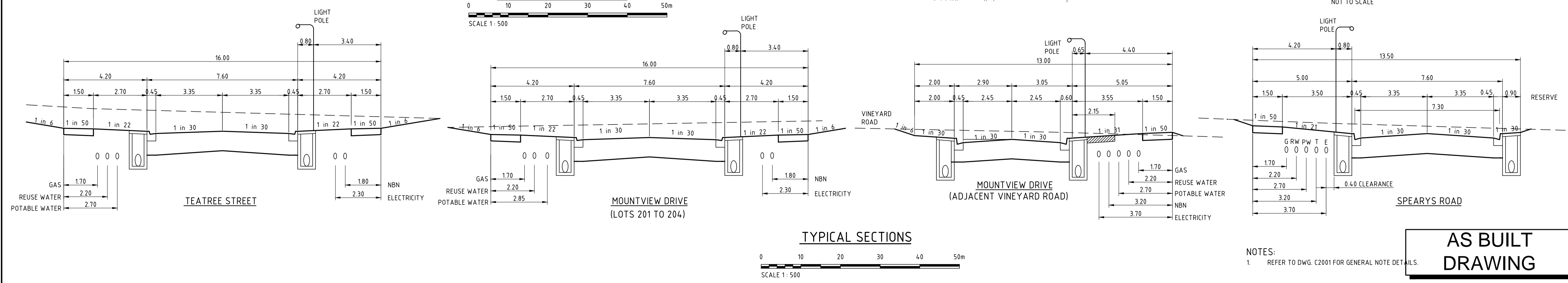
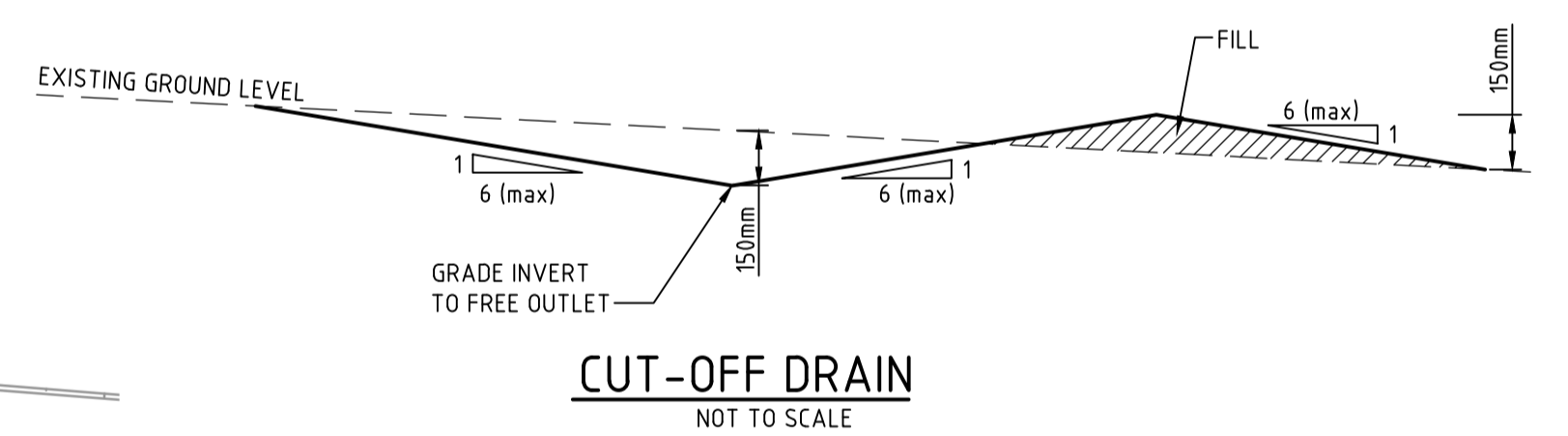
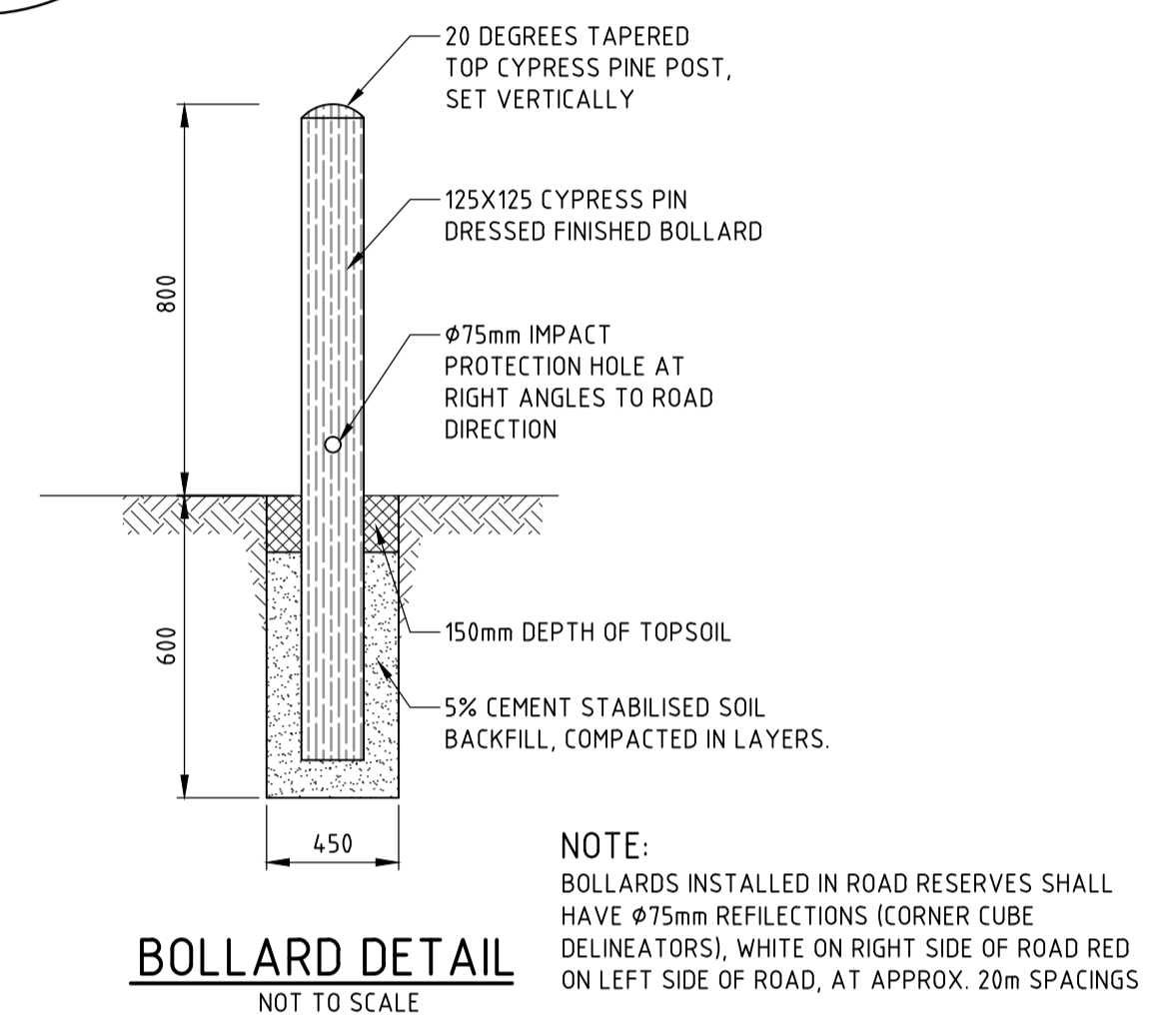
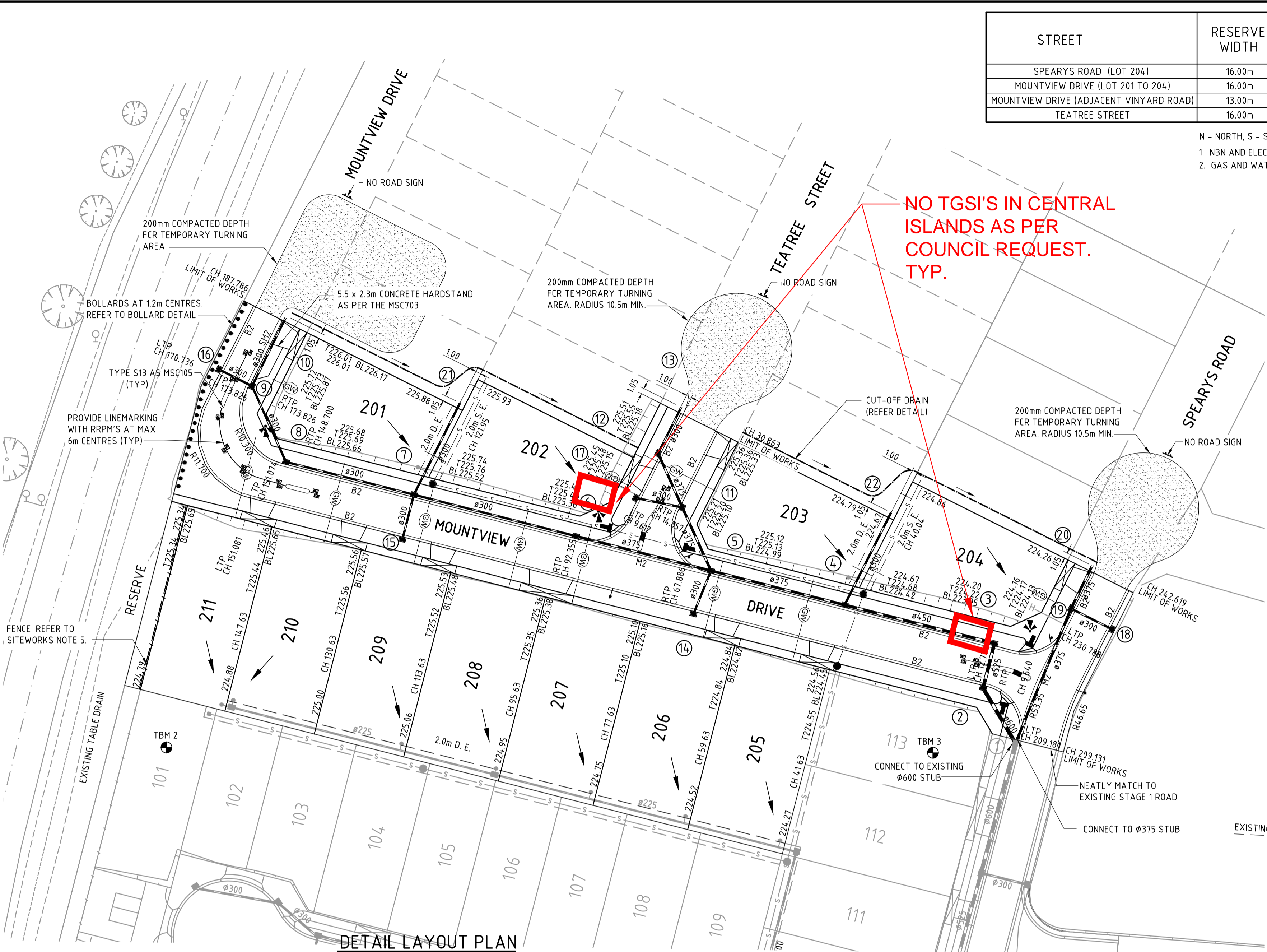
N - NORTH, S - SOUTH, E - EAST, W - WEST
 1. NBN AND ELECTRICITY CABLES TO BE CONSTRUCTED IN A COMMON TRENCH
 2. GAS AND WATERMANS TO BE CONSTRUCTED IN A COMMON TRENCH.

TBM SCHEDULE			
TBM No.	EASTING	NORTHING	DESCRIPTION
2	297536.09	5834117.71	STAR PICKET
3	297677.27	5834116.73	STAR PICKET



WARNING
 BEWARE OF UNDERGROUND SERVICES
 THE LOCATION OF UNDERGROUND SERVICES SHOWN ARE APPROXIMATE ONLY AND THEIR EXACT POSITION SHOULD BE PROVEN ON SITE

PROPOSED WORKS LEGEND	
55.25	EXISTING SURFACE LEVEL
F67.00	FINISHED SURFACE LEVEL
BL67.00	FINISHED SURFACE LEVEL ADJACENT TO FOOTPATH
T67.00	TOP OF BATTER LEVEL
-65.5	PROPOSED CONTOUR
B2	BARRIER KERB (REFER TO GAA STD DWGS FOR DETAILS)
M2	DISH DRAIN (REFER TO GAA STD DWGS FOR DETAILS)
1	STORMWATER PIT REFERENCE NUMBER
[Symbol]	SIDE ENTRY PIT (S.E.P.)
[Symbol]	JUNCTION PIT (J.P.)
[Symbol]	GRATED PIT (G.P.)
[Symbol]	HOUSE DRAIN
[Symbol]	PROPERTY INLET
[Symbol]	PROPOSED SEWER MANHOLE
[Symbol]	PROPOSED SEWER INSPECTION SHAFT
[Symbol]	DIRECTION OF FALL
[Symbol]	OVERLAND FLOW PATH
[Symbol]	BOLLARD
[Symbol]	STREET SIGN
[Symbol]	NO ROAD SIGN
[Symbol]	CONCRETE END WALL (REFER TO GAA STD DWGS FOR DETAILS)
[Symbol]	TGSI'S
[Symbol]	EXISTING TREE TO BE RETAINED
[Symbol]	EXISTING TREE TO BE REMOVED
[Symbol]	TBMS
[Symbol]	PSMS
[Symbol]	FILL GREATER THAN 300mm
[Symbol]	GAS & WATER CONDUIT
[Symbol]	SEWER
[Symbol]	STORMWATER DRAINAGE



NOTES:
 1. REFER TO DWG. C2001 FOR GENERAL NOTE DETAILS.

AS BUILT DRAWING

Issue	Description	Date
A2	ADDED LEGEND	24.09.14
A1	AS BUILT	06.02.14
C1	CONSTRUCTION ISSUE	31.07.13
T3	COUNCIL COMMENTS INCORPORATED	20.06.13
T2	ISSUE FOR COUNCIL APPROVAL - MOUNTVIEW & TEATREE REGRADED	13.05.13
T1	TENDER ISSUE	02.05.13

Client	INVESTA
--------	---------

Status	AS BUILT
Scales	AS SHOWN
Original Size	A1
Height Datum	A.H.D
Grid	MGA
Filename	C2200-AA005214-VCD-00DETAIL_PLAN.DWG

Project	SHIRE OF MELTON BLOOMDALE ESTATE STAGE 2
Title	DETAIL PLAN AND PAVEMENT DETAILS

Drawing No.	Project No.	Issue
C2200	AA005214	A2

HYDER CONSULTING PTY LTD
 Level 16, 31 Queen Street
 Melbourne, Vic 3000
 Australia
 ACN 104 485 289
 Tel: +61 (0)3 8623 4000
 Fax: +61 (0)3 8623 4111
 www.hyderconsulting.com
 © Copyright reserved